



SERVICE PARTS LIST

BULLETIN NO.
54-05-0156

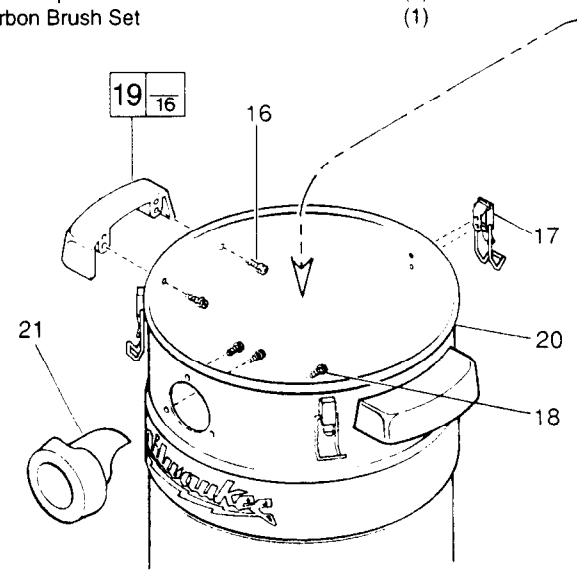
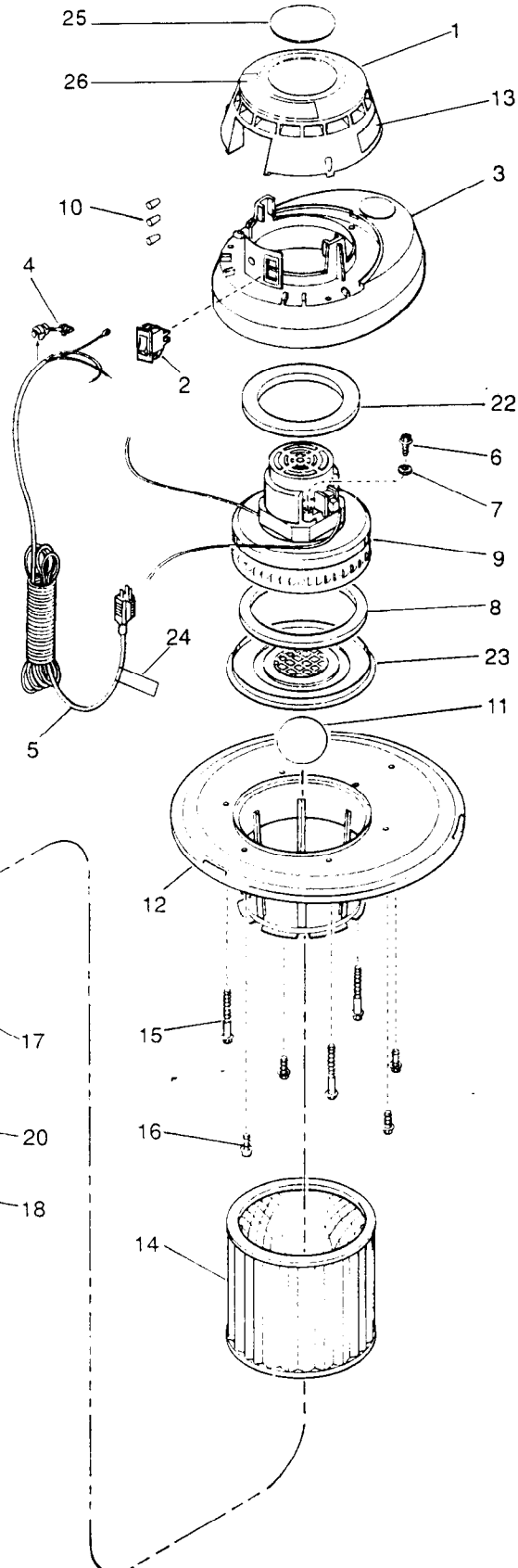
SPECIFY CATALOG NO. AND SERIAL NO. WHEN ORDERING PARTS		REVISED BULLETIN 54-05-0155	DATE Dec. '97
8 GALLON WET OR DRY VACUUM CLEANER		WIRING INSTRUCTION	
CATALOG NO. 8950	STARTING SERIAL NO. SERIES 7		

EXAMPLE:



Component Parts (Small #) Are Included
When Ordering The Assembly (Large #).

FIG.	PART NO.	DESCRIPTION OF PART	NO. REQ.
★	1	31-15-0136 Housing Cap	(1)
	2	23-66-0885 Switch	(1)
★	3	31-50-0181 Motor Housing	(1)
	4	22-90-0145 Strain Relief Bushing	(1)
	5	22-64-0137 Power Cord	(1)
	6	06-95-5319 #10 x 3/8" Slit. Hex Hd. Ground Screw	(1)
	7	06-97-3400 #10 Split Ring Lockwasher	(1)
★	8	43-44-0555 Motor Bottom Gasket	(1)
★	9	23-30-0165 Motor	(1)
	10	22-56-0160 Wire Connector	(3)
	11	42-46-0100 Ball Float	(1)
	12	31-15-0145 Plastic Cover Lid	(1)
★	13	12-20-8956 Service Nameplate Kit	(1)
	14	49-90-1830 Cartridge Filter	(1)
★	15	06-95-5391 #10 x 3" Self-Tapping Slit. Hex Hd. Screw	(3)
★	16	06-95-5330 #10 x 3/4" Self-Tapping Slit. Hex Hd. Screw	(8)
	17	42-68-0410 Buckle	(3)
	18	06-95-5320 #10 x 1/2" Slit. Hex Hd. Screw	(3)
	19	14-34-0440 Handle Package (2 Handles and 4 Screws)	(1)
	20	42-51-0385 Tank	(1)
	21	42-86-0120 Inlet Fitting	(1)
	22	43-44-0540 Motor Top Gasket	(1)
★	23	44-66-5365 Motor Plate	(1)
★	24	10-15-1610 Warning Label	(1)
	25	10-20-8950 Warning Label	(1)
	26	10-20-8955 French/Spanish Label	(1)
★		22-18-0195 Carbon Brush Set	(1)



MILWAUKEE ELECTRIC TOOL CORPORATION
13135 W. LISBON RD., BROOKFIELD, WI 53005